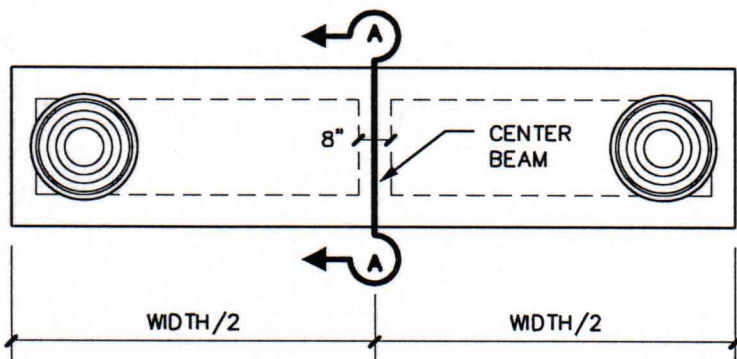


#4 BARS AT  
12" C.-C.  
THROUGHOUT

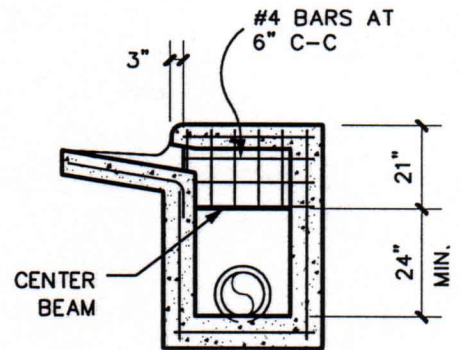
**NOTE**

SEE SHEET D-5 FOR GENERAL INLET INFORMATION

**SECTION C-C**



**PLAN VIEW**



**SECTION A-A**

**CENTER BEAM DETAIL**



**CITY OF  
DECATUR**

**DRAINAGE SYSTEM CONSTRUCTION DETAILS  
STORM SEWER CURB INLET**

REVISED MAR 2000

SCALE: 1/4" = 1'

SHEET: **D-6**